

Medical Face Shield

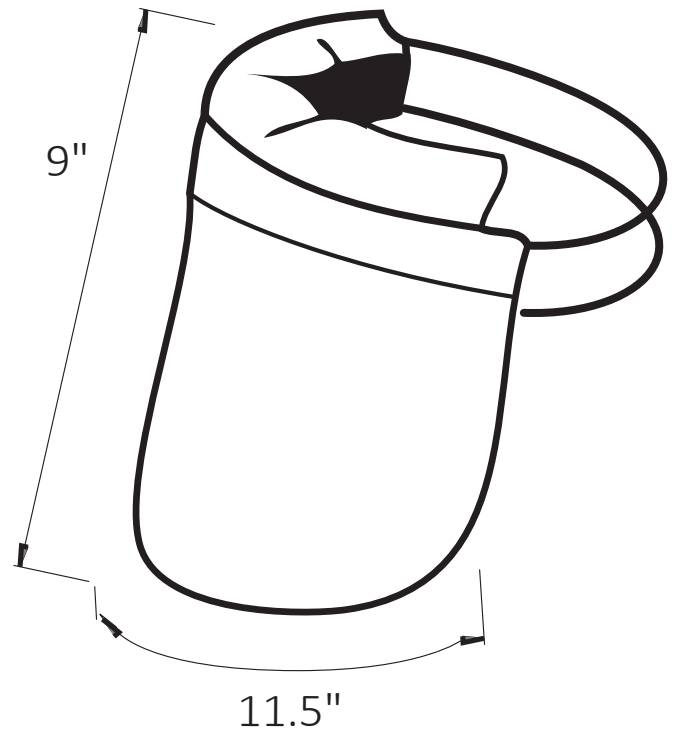
American-Made Face Protection for Medical Professionals

These comfortable face shields for hospitals and medical professionals feature a 9" tall x 11.75" wide piece of flexible plastic that surrounds the face to protect from airborne threats. A foam headband provides a comfortable distance between the face and shield, and an elastic band keeps these protective masks securely in place. Face shields are individually packaged and come with an easily removable protective masking. They are ready to ship from one of Interstate Plastics' 10 nationwide locations. Call Interstate Plastics at **(888) 768-5759**.



Features

- 9" tall x 11.75" extra-wide flexible face shield provides a high level of protection without sacrificing comfort
- For use in hospitals and by medical professionals
- Made from high optical clarity polycarbonate or PETG plastic that allows for an optimal view, even when wearing glasses or goggles
- Comfortable elastic band keeps the mask in place and accommodates a variety of head sizes
- Securely affixed shield prevents the risk of separation from the elastic band
- Foam headband creates a comfortable distance between the shield and face
- Individually Packaged, Disposable, and Single-Use
- Made in the U.S.A.



*Not recommended for use around high heat sources or flammable gases. Body may come in contact with face shield, elastic band, and foam insert.

Ordering Information

- Bulk discounts start at one box
- Quantity of 140 per box
- One size fits most band with 9" tall x 11.75" face shield
- Call Interstate Plastics at **(888) 768-5759**

Cleaning & Disinfecting

- Use a PETG or polycarbonate safe cleaner like Novus Plastic Polish #1, Brilliance Plastic Cleaner, or a mild soap solution
- Visit www.interstateplastics.com/ppbcleaning for approved cleaners and disinfectants